



• ED6038 Series.

DC Brushless fan.

Size: 60 x 60x 38 mm

2.36x1.5Inches.

Airflow: Max. 68 CFM /1.9 m3/min

Plastic Impeller / Plastic Frame.

Model No.	Rated Voltage	Voltage Range	Input Power	Rated Current	Ref Speed	Max. Airflow		Max. Static Pressure		Noise Level	PQ Curves
	VDC	VDC	Watt	Amp	RPM	CFM	m3/min	Inch/H2O	mm/H2O	dB (A)	
ED6038-12HH**	12	7~13.2	21.6	1.8	12000	68	1.9	2.2	55.88	62	2
ED6038-12H**	12	7~13.2	15.4	1.28	10000	56	1.6	1.5	38.1	57	3
ED6038-12M**	12	7~13.2	10.8	0.9	9000	52	1.5	1.2	30.48	54	4
ED6038-12L**	12	7~13.2	7.2	0.6	8000	45	1.3	0.9	22.86	51	5
ED6038-24HH**	24	14~26.4	20.88	0.87	12000	68	1.9	2.2	55.88	62	2
ED6038-24H**	24	14~26.4	12.96	0.54	10000	56	1.6	1.5	38.1	57	3
ED6038-24M**	24	14~26.4	12	0.5	9000	52	1.5	1.2	30.48	54	4
ED6038-24L**	24	14~26.4	9.12	0.38	8000	45	1.3	0.9	22.86	51	5
ED6038-48HH**	48	28~56	19.2	0.4	12000	68	1.9	2.2	55.88	62	2
ED6038-48H**	48	28~56	14.4	0.3	10000	56	1.6	1.5	38.1	57	3
ED6038-48M**	48	28~56	12	0.25	9000	52	1.5	1.2	30.48	54	5
ED6038-48L**	48	28~56	8.64	0.18	8000	45	1.3	0.9	22.86	51	5

** = "BL" for wire lead type Ball bearing Type.

•We reserve the right to change data and improve electrical & mechanical design without notice. data tolerance +10%

Motor

Motor Type: Brushless DC Motor, auto cutoff, auto restart optional only
 Burnout Protection: Electronically protected, polarity protected
 IP Protection: Ratings on request

Mechanical

Frame: Glass fiber reinforced thermoplastic, rated UL94V-0
 Impeller: 7 blades, glass fiber reinforced plastic, rated UL94V-0
 Bearing: Two ball bearings
 Rotation: CCW seen on rotor
 Connection: Wire lead
 Weight: 85 g (0.187 Lbs)

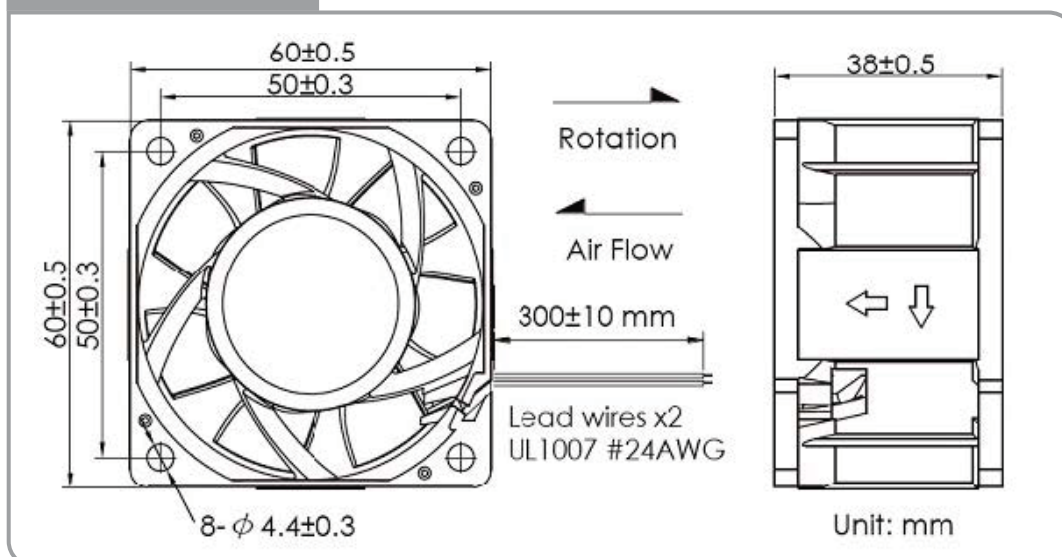
Electrical

Dielectric Strength: 500 VAC/min. Max leakage 500mA
 Speed Control: Optional: PWM, S/C NTC thermister on request
 Signal Output: Optional: R/D alarm output, tachometer output F/G

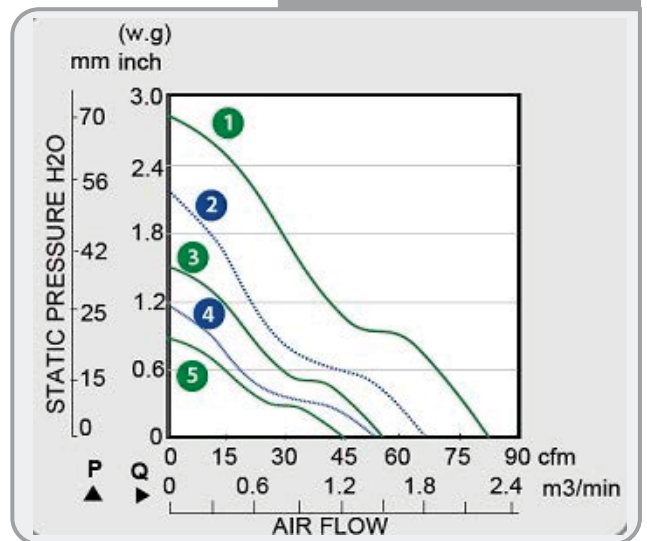
Environment

Operating Temp: Ambient non-condensing -15°C~+65°C
 Storage Temp: -25°C~+80°C (at 65%RH)
 Life Expectancy: L10 60K hours at 45°C, 45K hours at 65°C

▶ Outline Dimensions.



▶ Performance P-Q Curves.



Fan Accessories

- Metal Fan Guards
- Plastic Fan Guards
- Plastic Fan Filter
- Metal Fan Screens